

# Integrity Marine Corporation

Extrusions for the Marine Industry



Our company is based on the belief that our customers' needs are of the utmost importance. With over 30 years experience in supplying rubrails to virtually every boat manufacturer in the U.S. and Canada, we have knowledge that the other companies do not possess. We are committed to finding the correct rubrails and inserts for your specific application at a competitive price. Our name, Integrity Marine, is a reflection of our business philosophy and we guarantee you will enjoy the experience of doing business with us! We welcome the opportunity to earn your trust and deliver you the best service in the industry!

*"If you have Integrity nothing else matters - if you don't have Integrity nothing else matters"* - Alan Stinson

**About Mark Demers**

Mark Demers is the President of Integrity Marine Corporation. He has over 30 years experience selling rubrail and stainless steel to the marine industry. He was Sales Manager for Wind Specialty for several years before arriving at Barbour Corporation in 1983 to initiate their entrance into the marine industry.

He is currently VP of Marine Sales at Barbour Plastics, Inc. and founded Integrity Marine Corporation to fill the needs of boat owners, boat yards, and marinas in locating the correct rubrail for their boats. He was recently featured on Ship Shape TV as an expert on rubrails and installation.

**Corporate Office**

171A Great Neck Road, Wareham, MA 02571  
 Phone: 508-897-8339 • Cell: 508-942-6286  
 Email: mark@integritymarinecorp.com  
[www.integritymarinecorp.com](http://www.integritymarinecorp.com)

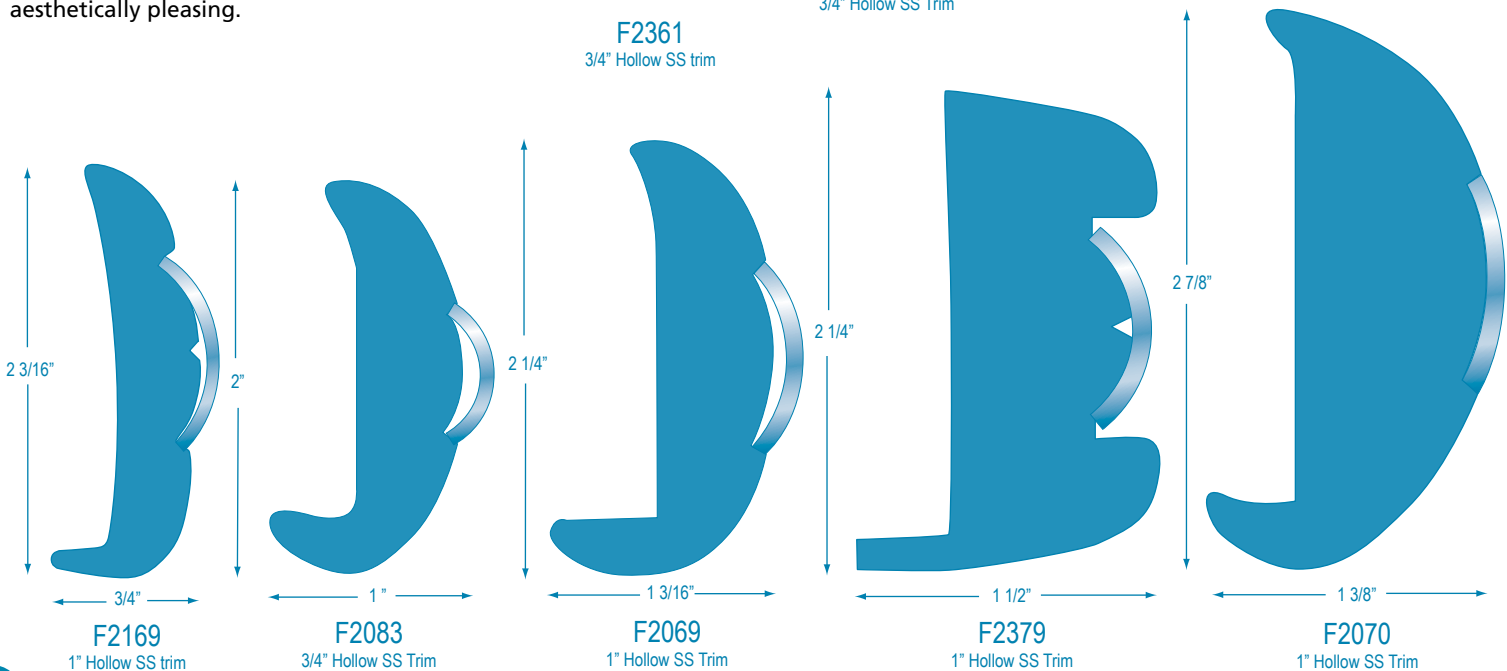
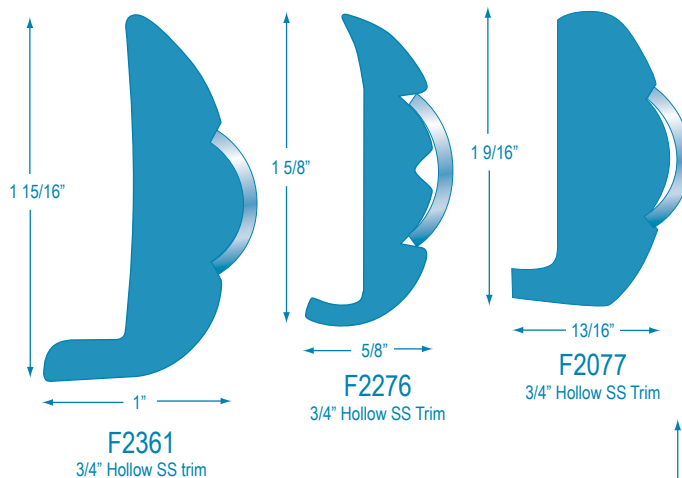
**Ordering information on back cover**

**Hours**

Mon-Fri: 8AM to 5PM

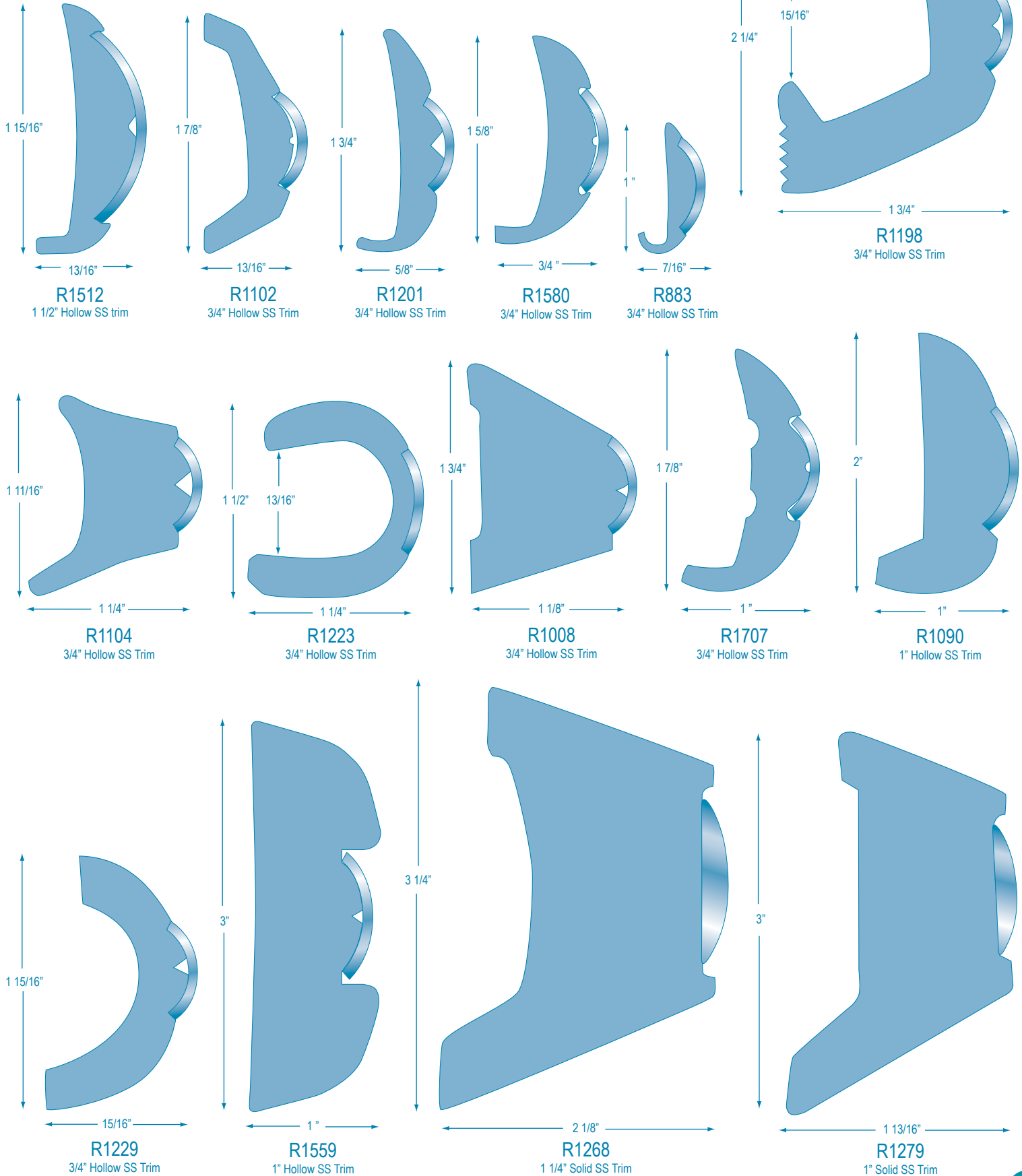
**Semi-rigid Rubrails with Stainless Steel Trim**

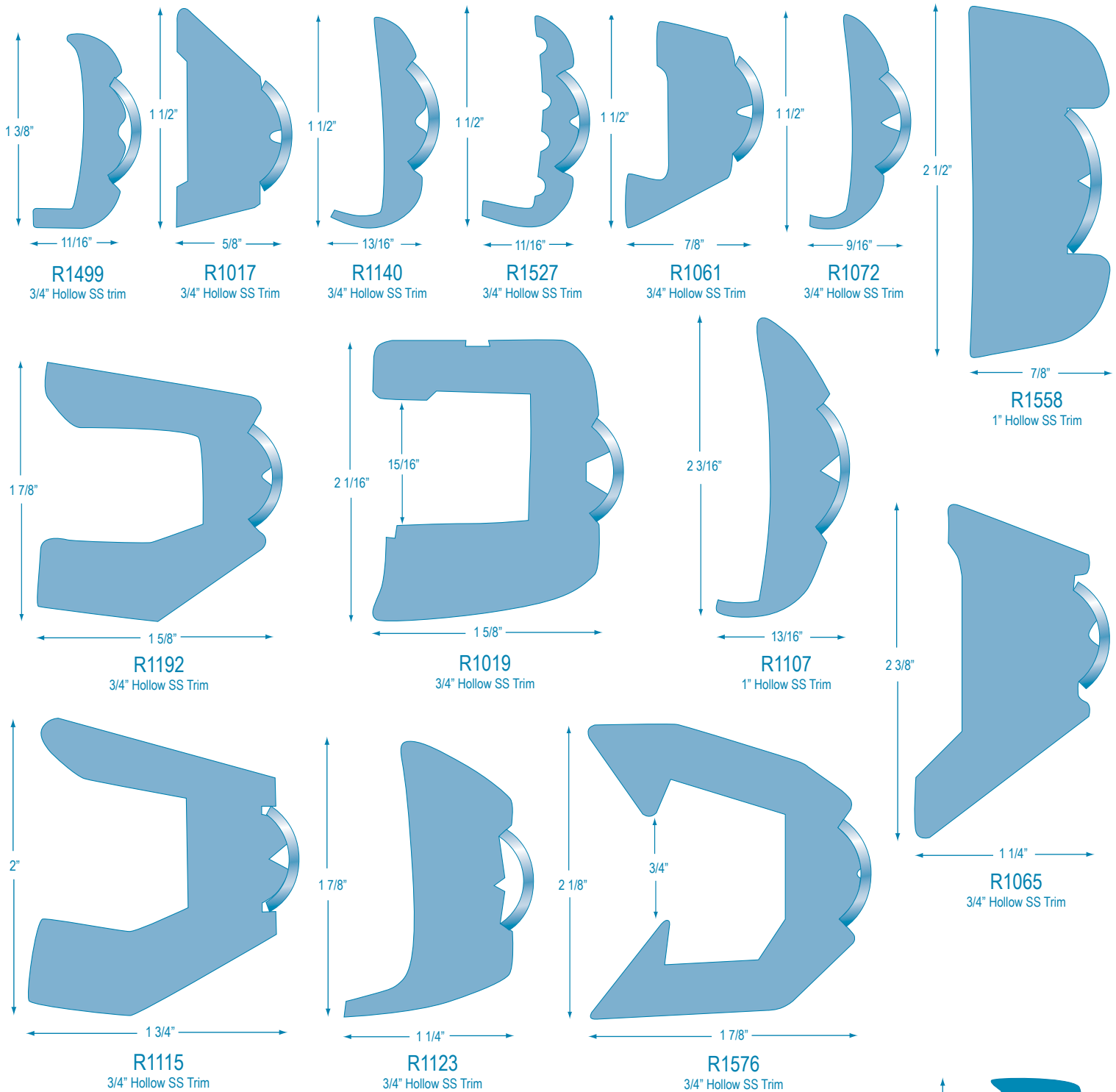
The following boat rubrails are manufactured from a flexible or semi-rigid material and are specifically designed to accept a hollow back stainless steel overlay. This rubrail has become popular of late as it combines the advantages of being highly durable yet has the rich look of stainless. An added advantage is that the stainless steel overlay acts as a stiffener in keeping this rail straight and true and hence aesthetically pleasing.



## Rigid Rubrails with Stainless Steel Trim

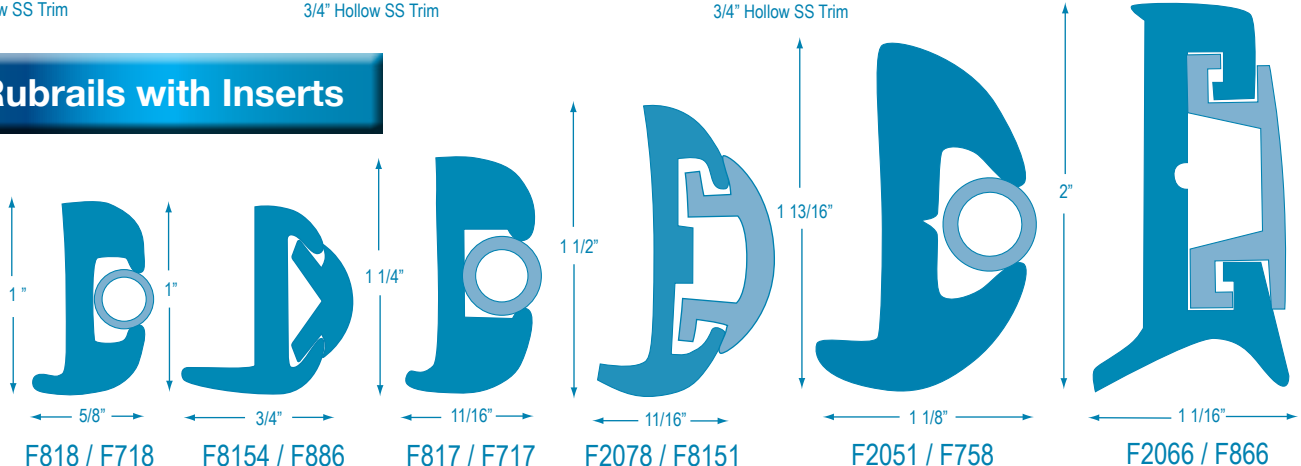
Rigid rubrails with a stainless steel insert is currently the most popular rubrail system used by boat builders on yachts and luxury vessels but has now made its way onto boats of all shapes and sizes. The use of genuine stainless steel provides a luxurious image second to none.





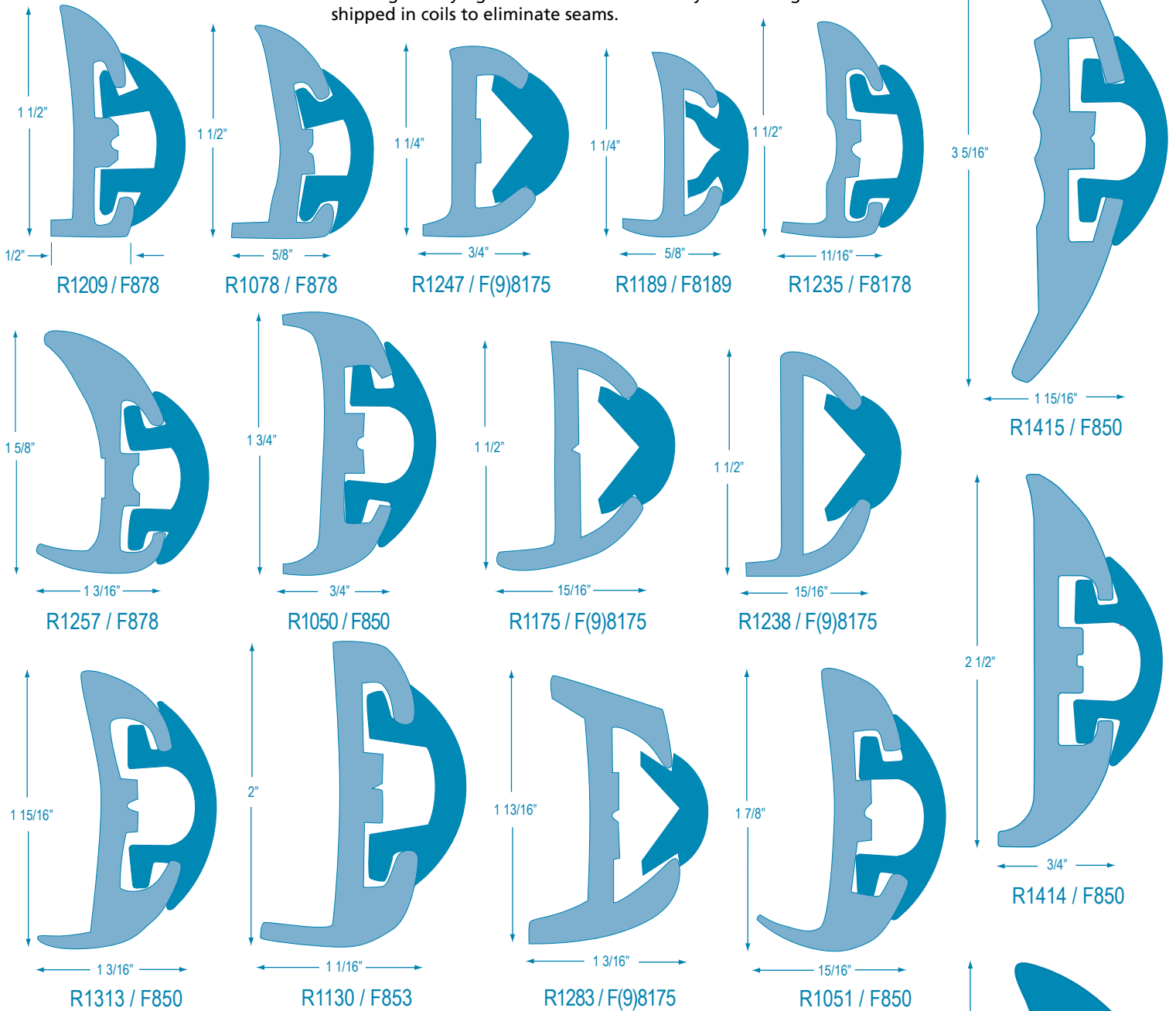
### Flexible Rubrails with Inserts

These rubrails can accommodate either rope or one of our vinyl tubing inserts. Available in matching or contrasting colors.



## Rigid Rubrails with Flexible Inserts

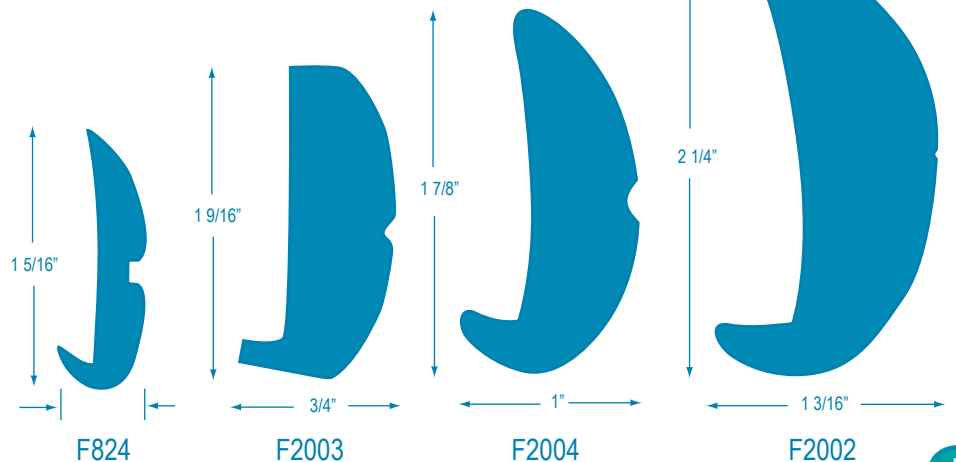
Rigid rubrails with flexible inserts are the most popular marine rubrail system. The rigid rubrail is affixed to the hull/deck joint utilizing either rivets or screws. The flexible insert is then popped into the rigid base to provide a cushioning effect on impact as well as hiding the mechanical fasteners. The rigid base goes on straighter than semi-rigid material but may require heat to navigate any tight radii on the boat. Many of these rigid items can be shipped in coils to eliminate seams.



## Flexible Solid Rubrails

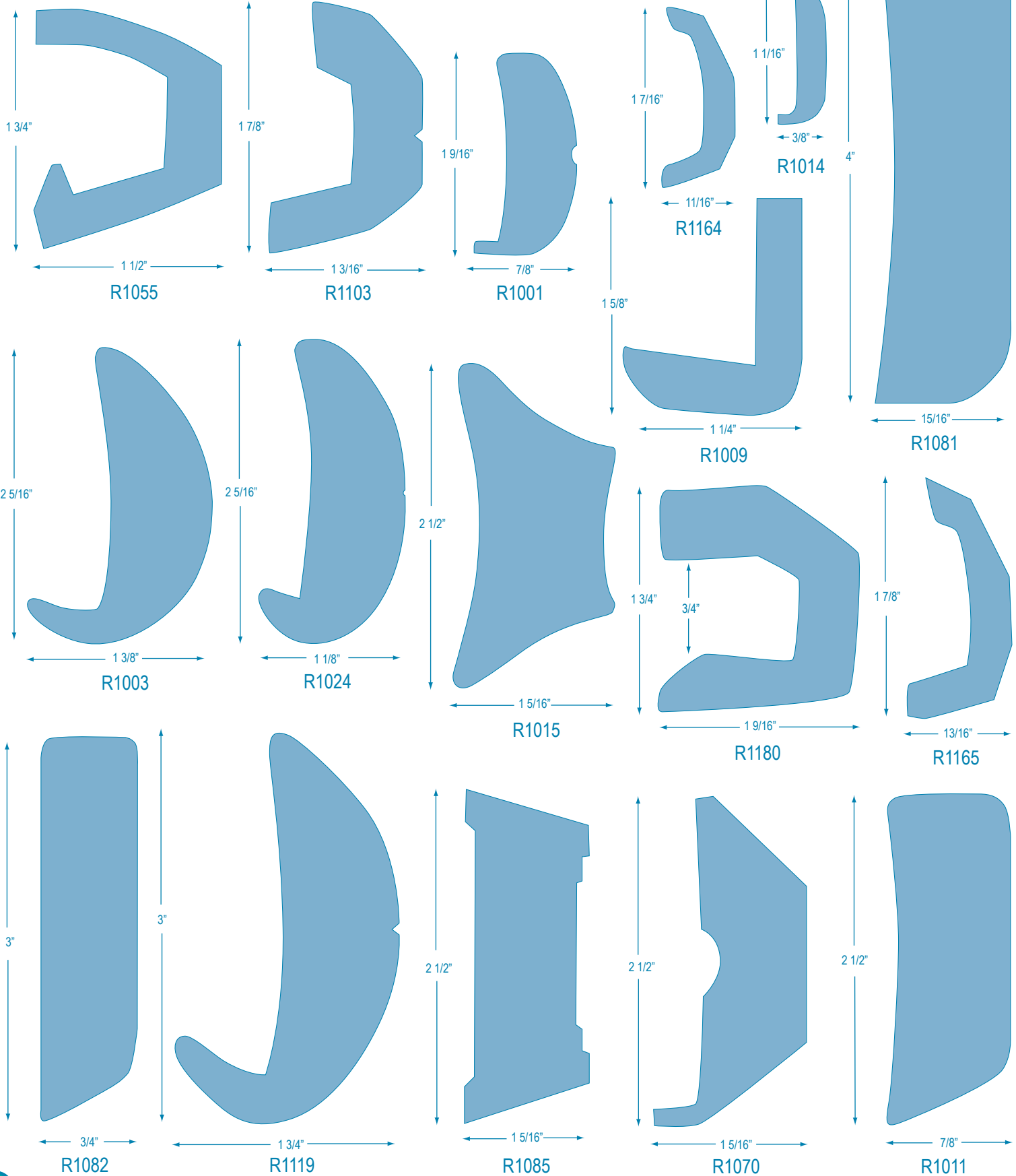
Flexible solid rubrails are often used on work boats or skiffs. They easily bend around the radii of your boat and are affixed with screws.

These are produced in coils that can be shipped via UPS.



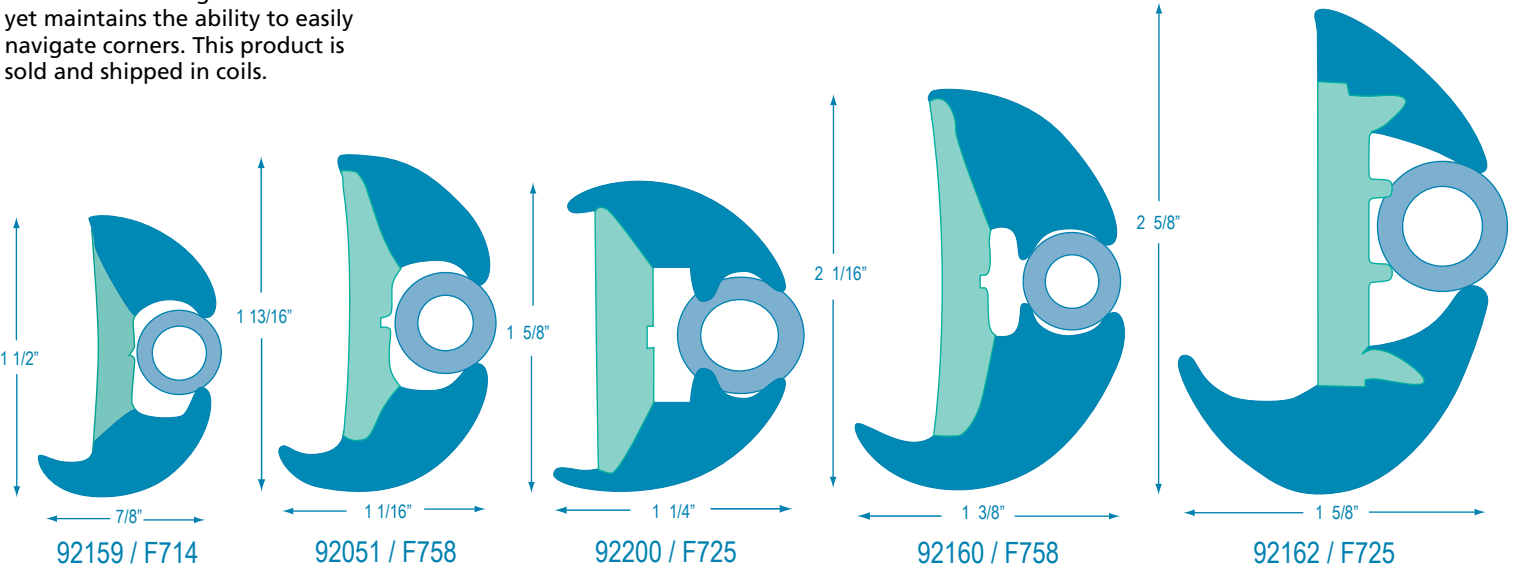
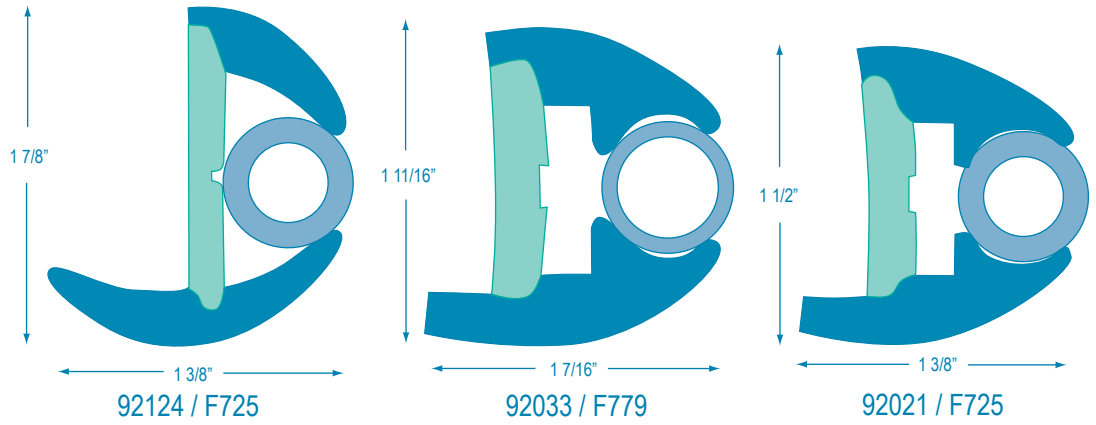
# Rigid Solid Rubrails

Rigid rubrails are made of a hard, high impact material and provide great protection. These products are most often used on commercial and high performance boats due to their durability in protecting the fiberglass. These are affixed to the boat using either self-tapping screws or bolts. In most cases these products cannot be coiled and must be shipped via truck.



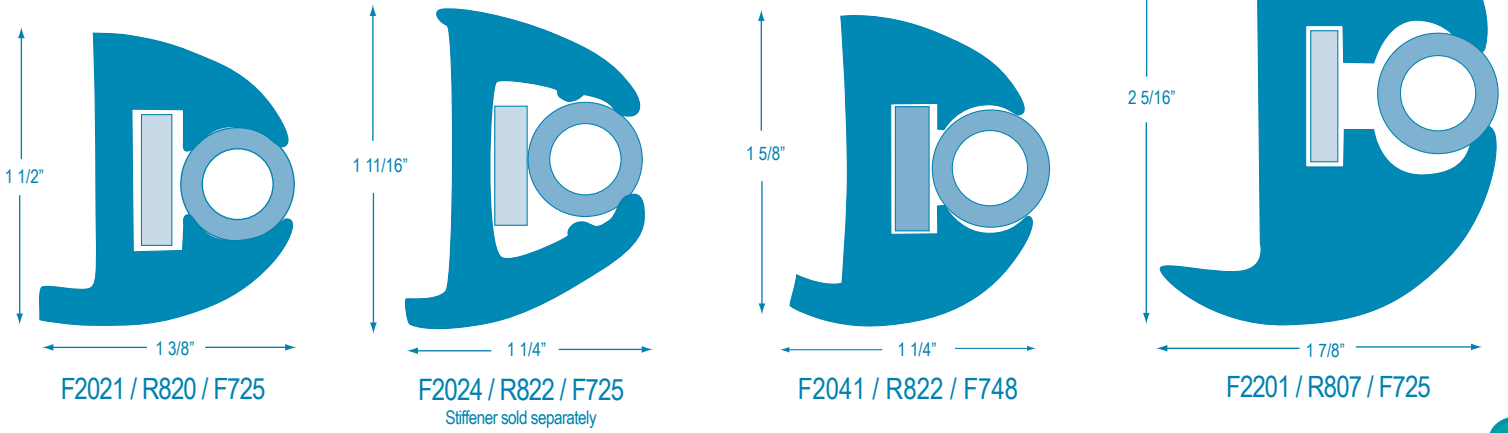
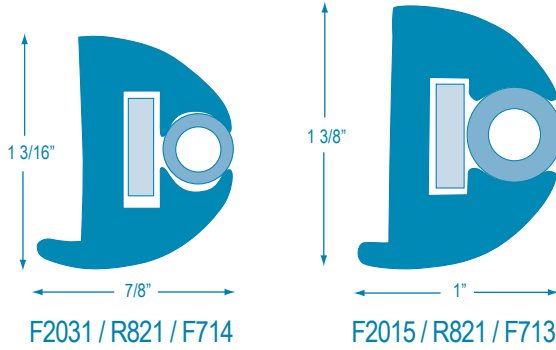
## Uniflex Rubrails®

Uniflex® Rubrails are a patented boat rubrail system developed by Barbour Plastics, Inc. The advantage of this product is the integrated stiffener in the base of the rail. Enjoy the ease of flexible rubrails that can be installed in a continuous coil without the need of being heated to bend around the bow or transom. Uniflex incorporates a co-extruded stiffer material on the base of the rail to achieve a "straighter" look yet maintains the ability to easily navigate corners. This product is sold and shipped in coils.



## Flexible Rubrails with Stiffener & Inserts

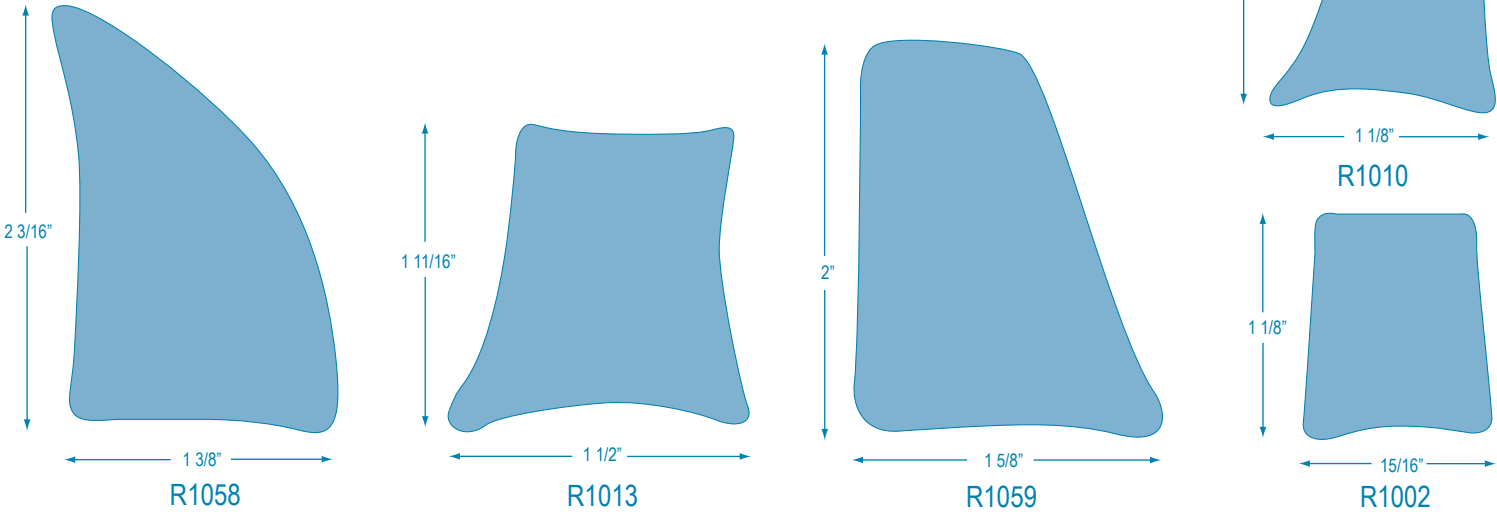
Flexible rubrails with inserts are often used on dinghy's, bass boats, center consoles and fishing boats. The material easily conforms around the boat and offers a cushioning effect when contacted. This item aptly fits the description of a boat bumper. The tubular insert can be replaced with a rope insert for those desiring a nautical look.





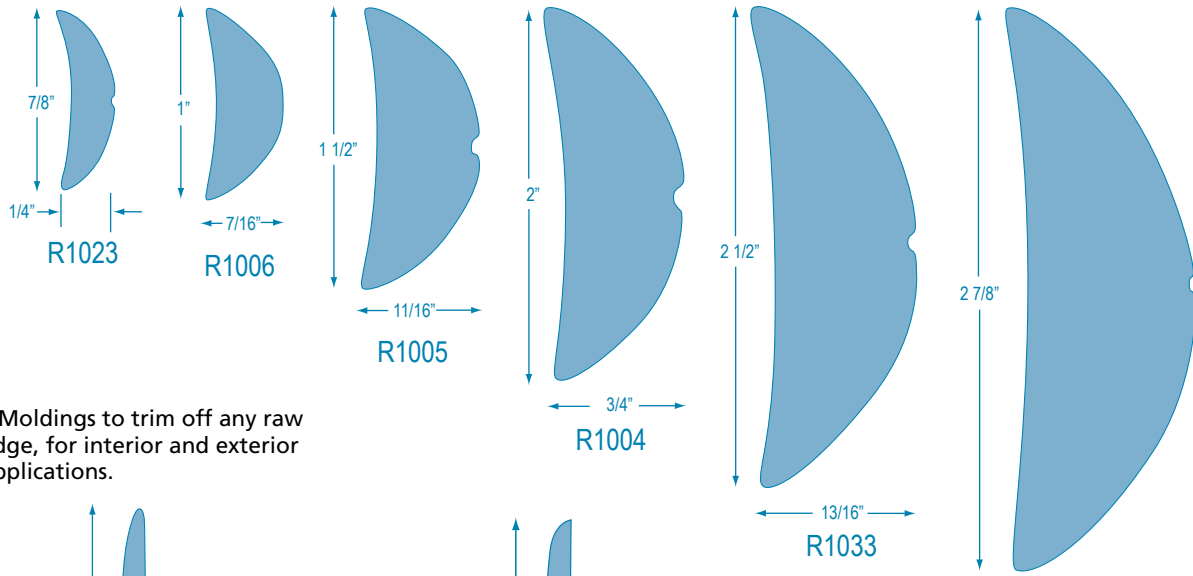
# Toe & Spray Rails

Toe Rails and Spray Rails are most often used on commercial boats and are produced in a rigid material. Toe Rails are installed on the deck of the boat adjacent to the rubrail. Spray rails are mounted on the side of the hull to not only keep the boat dry but also can act as a lifting strake in promoting quicker planing and fuel savings.



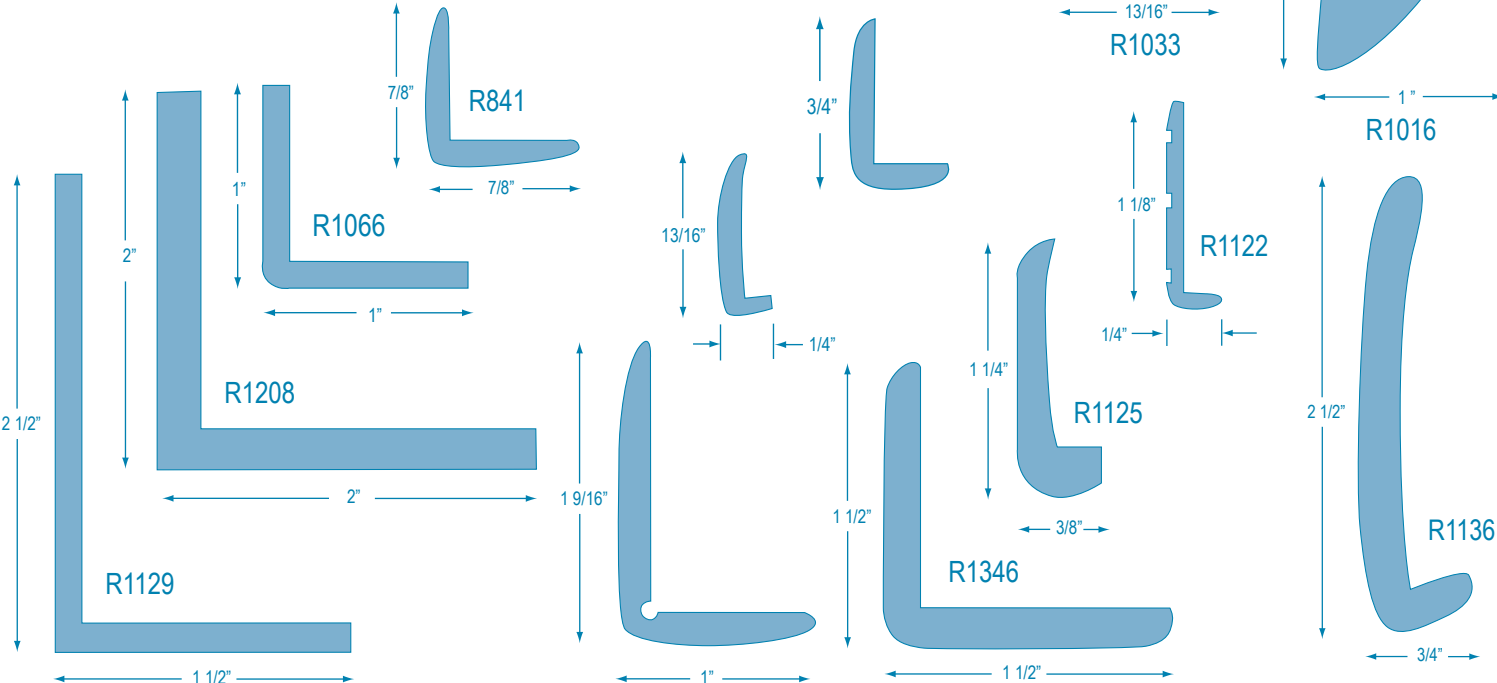
# Half Ovals

Useful in many applications, our versatile half ovals will solve your trim needs.



# L Moldings

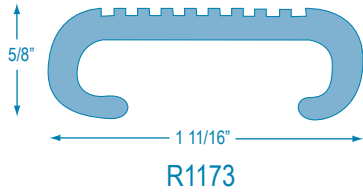
L Moldings to trim off any raw edge, for interior and exterior applications.





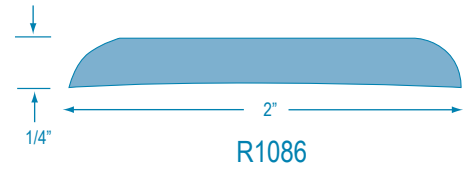
## Ladder Treads

The ultimate ladder treads for any boat — made from the most durable plastic available.



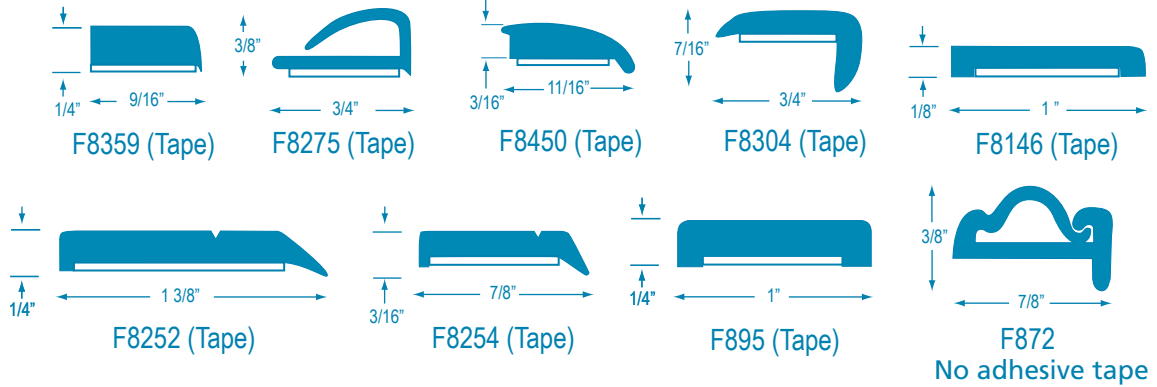
## Flat Trim Moldings

Basic trim applications — at an economical price.



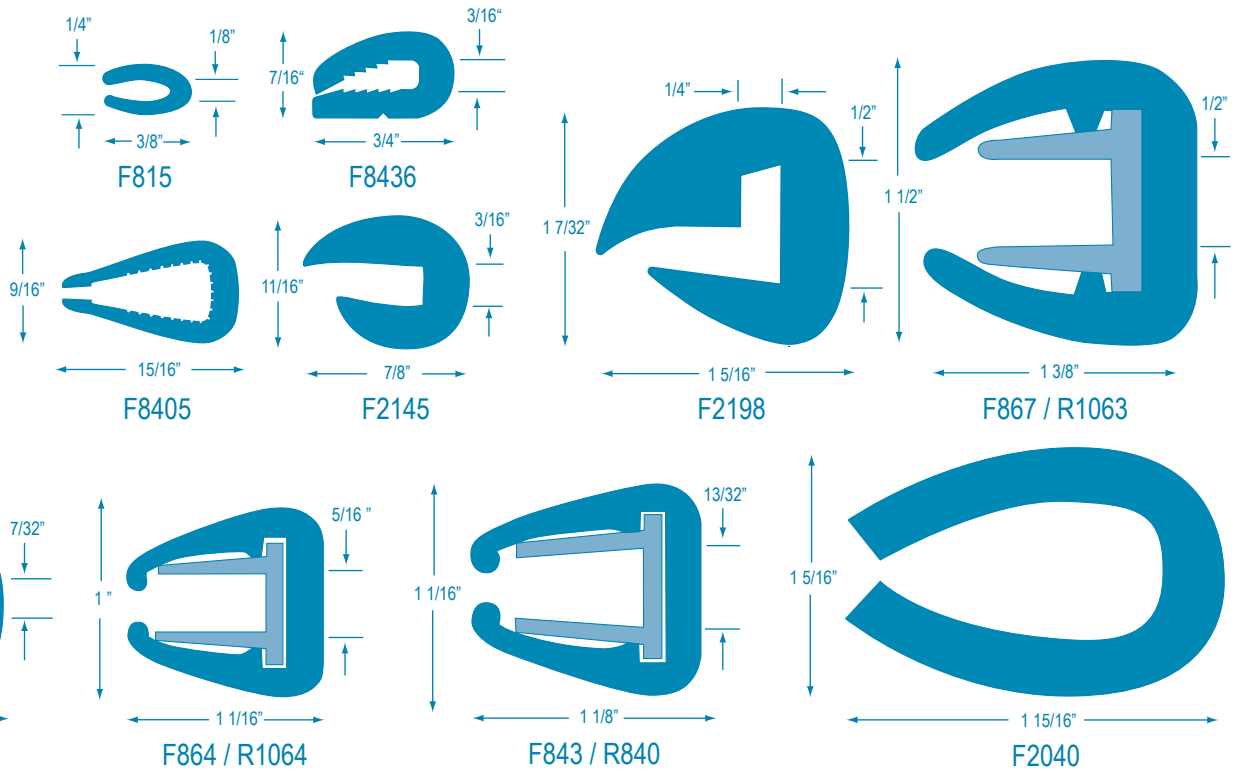
## Galley, Interior & Carpet Trim

One Piece Trim Units with Self-adhesive VHB Tape Backing. Choose from an array of trim to suit any application.



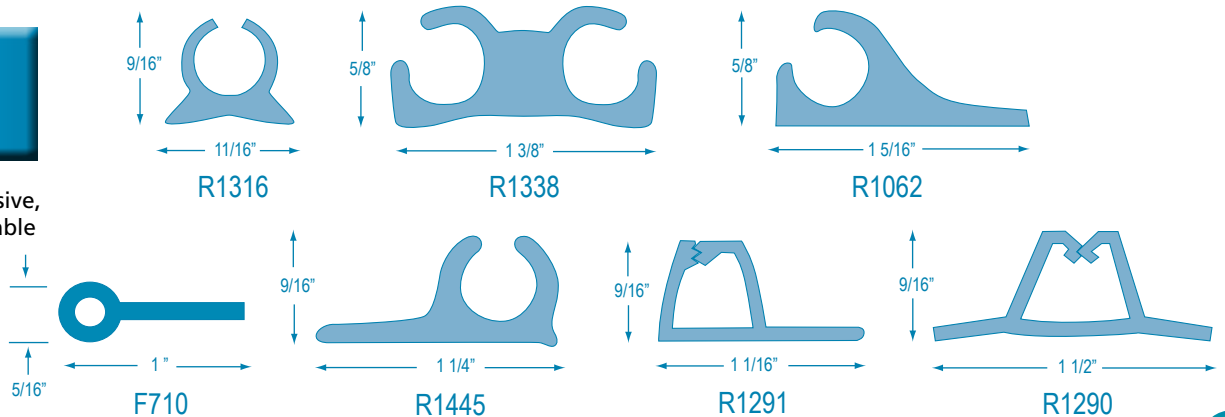
## U Moldings

Versatile U Moldings are available in both rigid and flexible profiles for a variety of deck/hull joint configurations. Several offer the unique feature of a rigid internal track, providing a more secure fit.



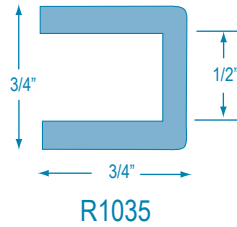
## Awning Track & Welt

Lightweight and noncorrosive, our awning tracks are durable and easy to install.

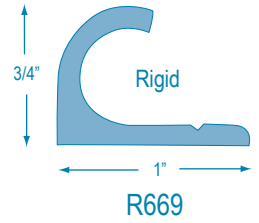


## Hatch Slides

Made of high-impact PVC for a smooth and easy sliding surface in both hatch and window applications.

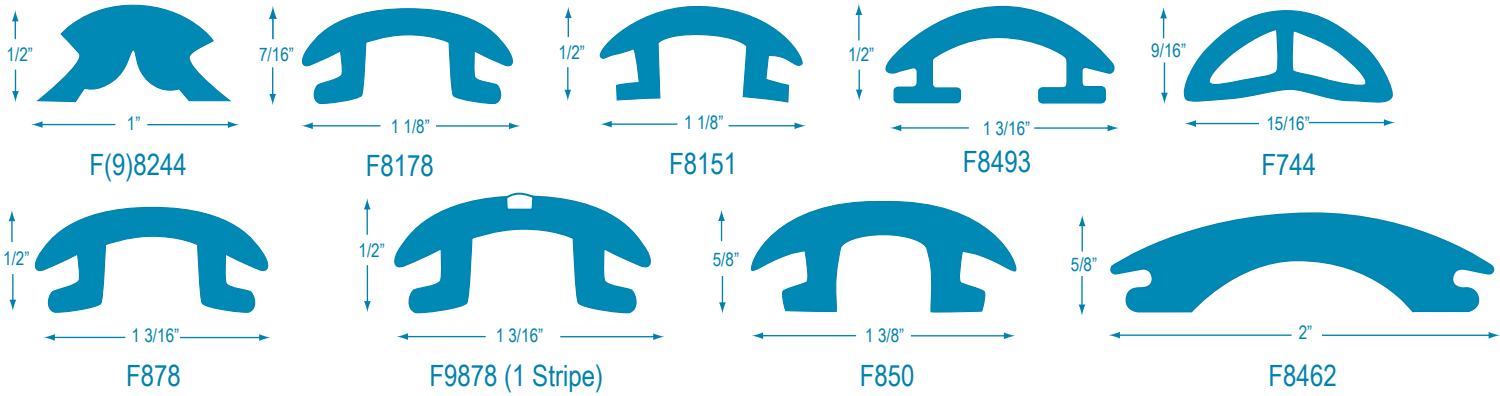
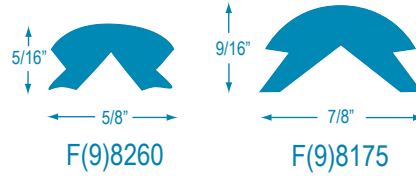


## Gutter Profile



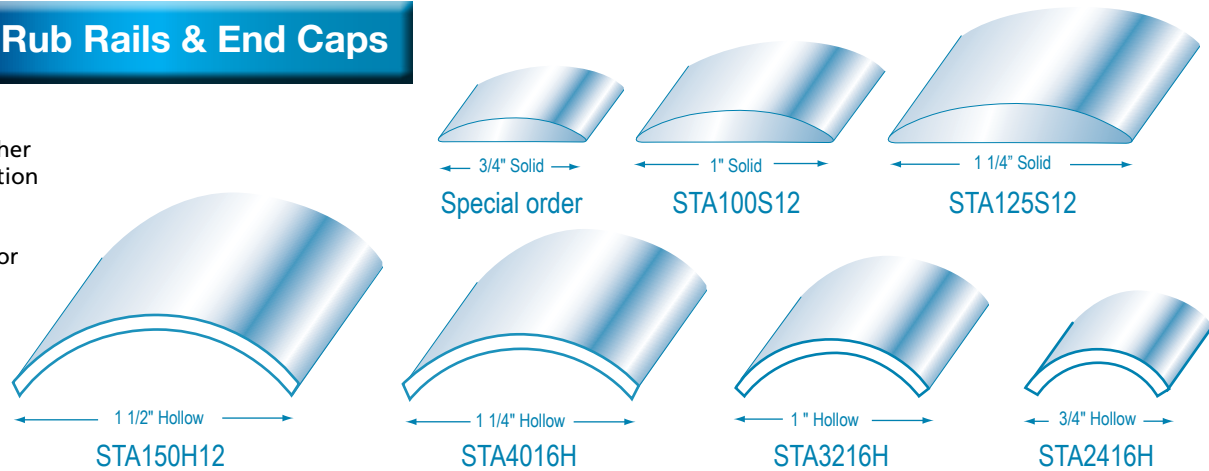
## Inserts for Vinyl & Aluminum Rails

Available in a wide variety of sizes and configurations, made to fit both plastic and aluminum bases.

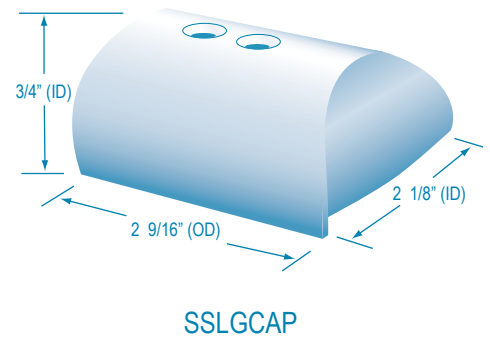
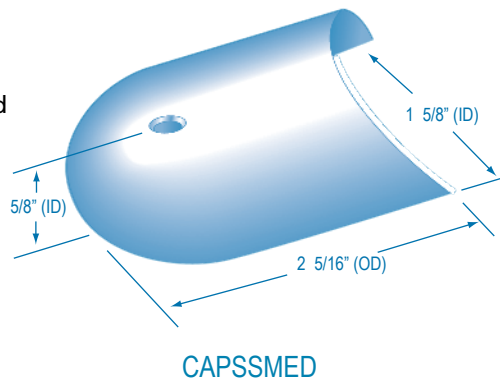


## Stainless Steel Rub Rails & End Caps

We carry a wide range of stainless steel rubrails to either be used alone or in conjunction with various vinyl rubrails. Please contact us for the appropriate size and price for your application.

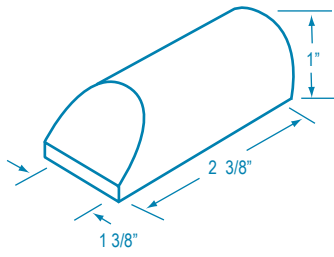


316 Grade Polished Stainless Steel End Caps are a sophisticated way to complete your rubrail. End Caps sold by the pair



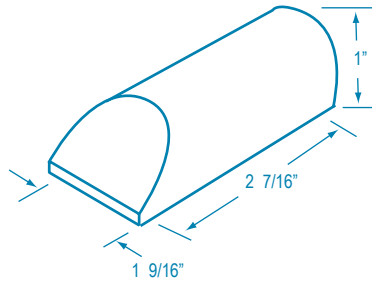
## Plastic End Caps & Splice Caps

Distinctive accessories to finish off your rubrails.



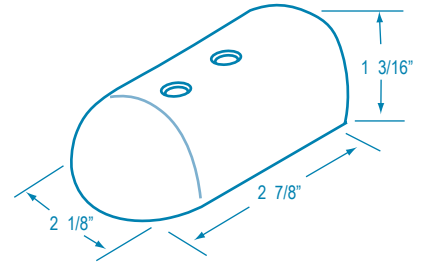
CAPECR-1

Dimensions are INTERIOR Dimensions



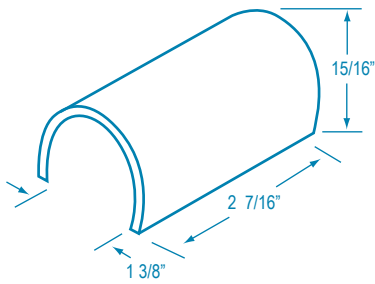
CAPECR-2

Dimensions are INTERIOR Dimensions



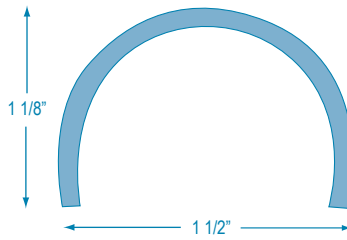
CAP1034

Dimensions are INTERIOR Dimensions

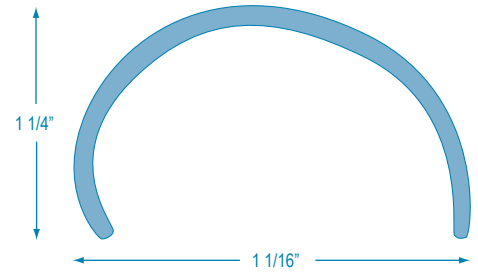


CAPSR-1

Dimensions are INTERIOR Dimensions

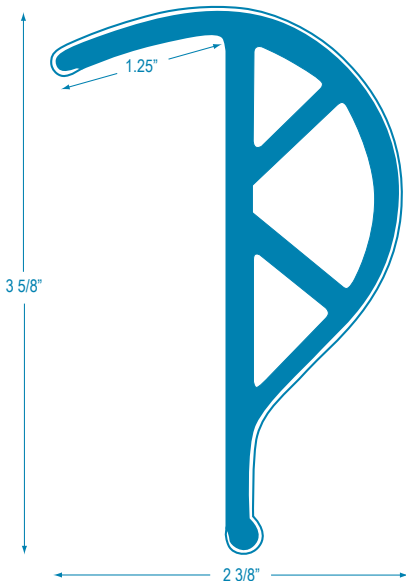


CAPSR-1

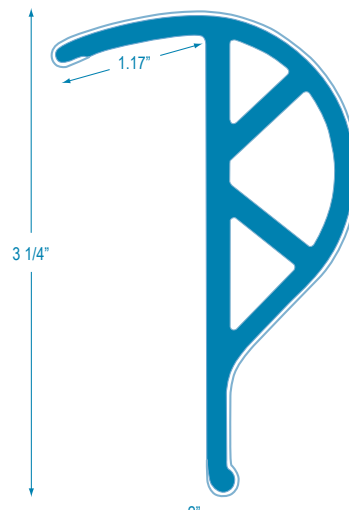


R1297

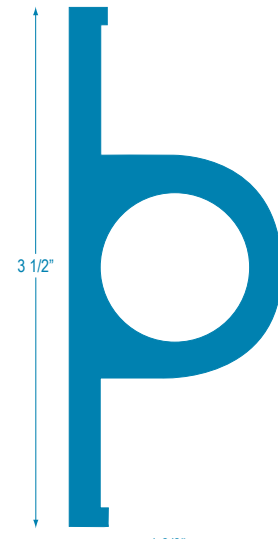
## Dock Bumpers



F92323



F92400



F2013

# Ordering Information

We welcome all inquiries by phone or e-mail:

Phone: 508-897-8339

Cell: 508-942-6286

Email: [Mark@IntegrityMarineCorp.com](mailto:Mark@IntegrityMarineCorp.com)

## MINIMUM ORDER QUANTITIES

Stock Products: \$100

Custom manufactured products carry minimums in accordance with the complexity of the part, the material and the color specified, and unit weight of the shape.

## FREIGHT/DELIVERY

All shipments are sold FOB factory, from either Brockton, MA or Atlanta, GA.

## TERMS

Net 30 days subject to credit approval

Visa, MasterCard or American Express

Cash before delivery



## RETURN POLICY

For damaged or defective goods, notify our customer service department and explain the nature of the problem. The customer may be requested to return a sample of the merchandise to our QC lab for evaluation. A return authorization number will be issued.

Custom manufactured products that are not defective are not returnable.

Integrity Marine Corporation reserves the right to make changes and updates to all products shown in this catalog. Although most drawings in this catalog depict shapes in actual size, the shape may vary slightly from the illustrations.

Integrity Marine Corporation  
171A Great Neck Road, Wareham, MA 02571  
Phone: 508-897-8339 • Cell: 508-942-6286  
Email: [mark@integritymarinecorp.com](mailto:mark@integritymarinecorp.com)

[www.integritymarinecorp.com](http://www.integritymarinecorp.com)